



AQUA ALTO.

Hydration in colour.

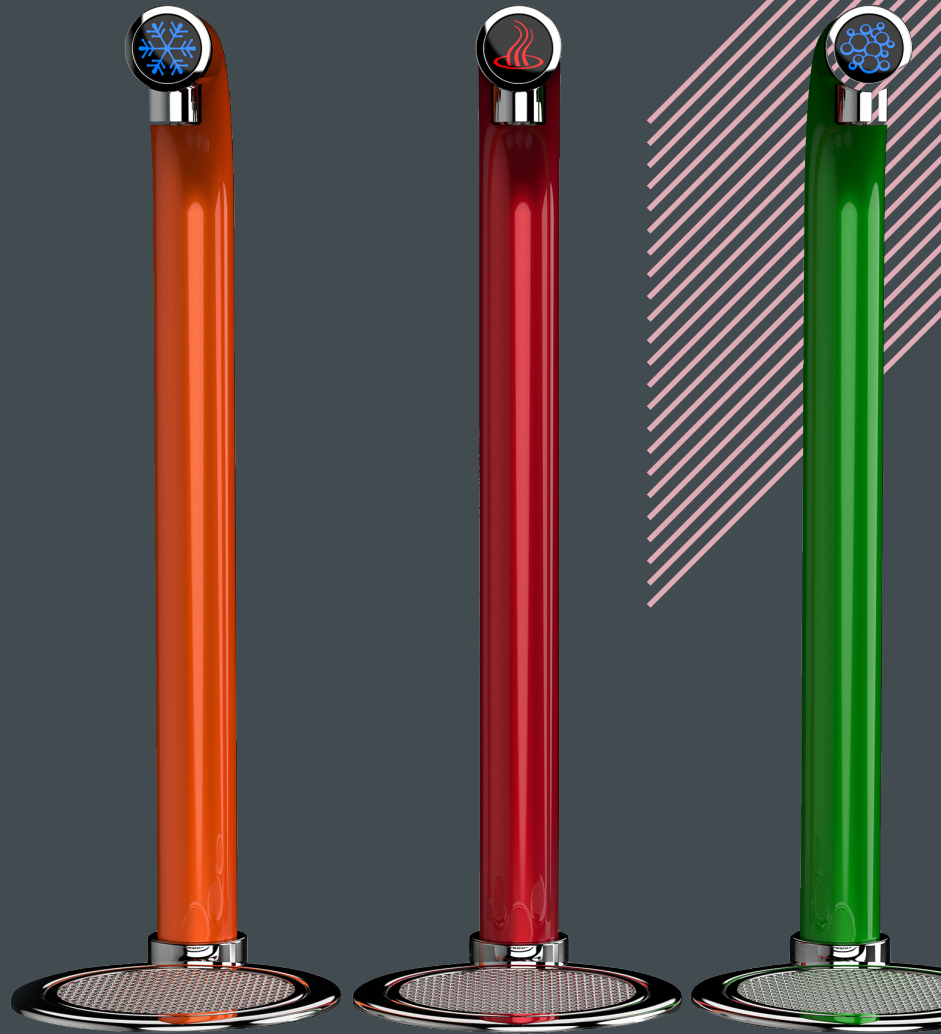
Boiling, chilled, and sparkling water. The POWER OF THREE.



THE POWER OF THREE.

Three taps and one base unit to reduce queues.

- Multiple taps can be used at the same time, on one system to reduce queues
- Sleek design available in any RAL colour
- Patented boiler design gives high volumes of boiling water
- Installed in modular form to fit into the tightest of spaces
- Perfect water flow with zero splash
- Plumbed-to-waste flush-fitting drip tray
- Preset fill volumes for any vessel and free flow options available
- Designed to fill water bottles without the need for font extension
- Equality Act compliant controls available
- Touch or touchless modules available



CHOOSE ANY RAL COLOUR



CAPACITY

High

Ultra high



BOILING

PER HOUR

up to **45** litres or **180** cups

up to **90** litres or **180** flask/tea pots



CHILLED / SPARKLING / AMBIENT

PER HOUR

45 litres or **180** glasses

45 litres or **240+** glasses

*Based on the following measurements: 1 cup/glass = 250ml & 1 flask/tea pot = 500ml

TALK TO US

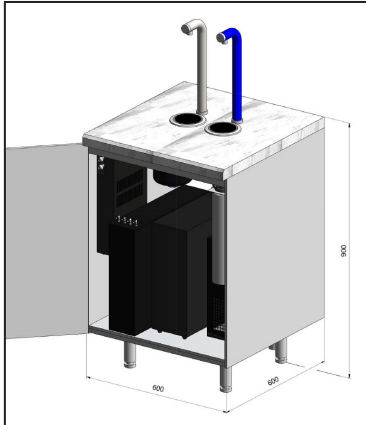
London showroom: 1 New Street, London, EC2M 4TP
www.aqualibra.com | 0800 080 6696 | hello@aqualibra.com

PRE-INSTALLATION REQUIREMENTS

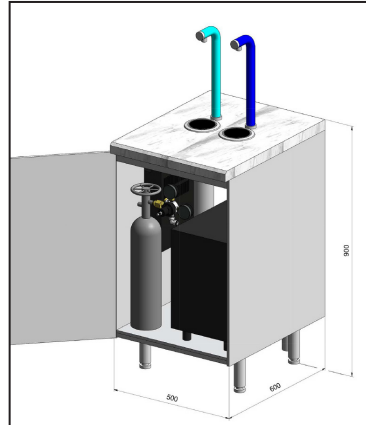


- 1 WATER.**
No. 1 x Potable cold mains water supply terminating in a 15mm Ballcock isolation valve.
- 2 POWER.**
No. 3 x 220 - 240V ac 50Hz Single switched 13A power sockets.
- 3 WASTE.**
No. 1 x 40mm upstand trapped waste supply.

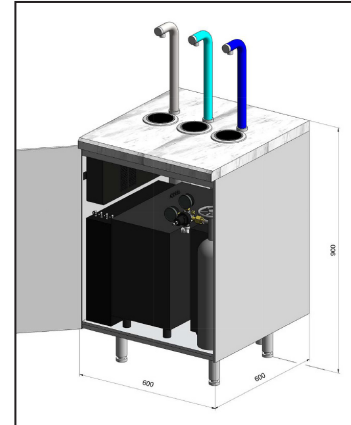
Please visit www.aqualibra.com/ventilation for all ventilation options.



Aqua Alto - BC Full Installation



Aqua Alto- CS Full Installation



Aqua Alto - BCS Full Installation



CAFÉ SPICE NAMASTE

Café Spice Namaste has chosen our high-capacity Aqua Alto water dispenser with three individual taps in blue, red, and white



CHALLENGE

Cyrus has always promoted sustainable solutions in the hospitality sector. His passion for reducing the carbon footprint and giving back to the community has driven his business forward, helping him make the right choices when it comes to suppliers. Bottled water, which clocks many “water miles”, will not be featuring on his menu. Instead, Cyrus wants a high-performance water dispenser to serve fresh, filtered drinking water in own-branded water bottles.

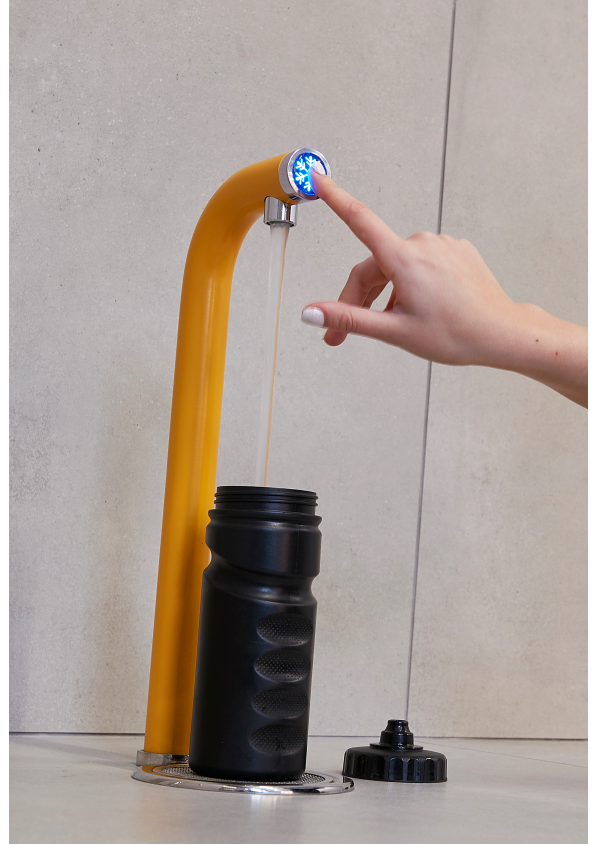
SOLUTION

For the ‘new’ Café Spice Namaste at Royal Docks, Cyrus has chosen our high-capacity Aqua Alto water dispenser with three individual taps in blue, red, and white. The restaurant’s new Aqua Alto taps will dispense high volumes of chilled, sparkling, and boiling water. The perfect solution for a busy environment with high demand for hot and cold drinks.

“Sustainability in hospitality has always played a significant role in my approach to business. When it comes to choosing suppliers, we only partner up with those who share our sustainability ethos. And Aqua Libra Co was the perfect choice for us, ticking all the boxes. We look forward to working on a few projects with the team at Aqua Libra Co, including a refill location and giving back to community campaigns through the Café Spice Namaste restaurant.”

Cyrus Todiwala, Owner of Café Spice Namaste





THANK YOU.

 0800 080 6696

 HELLO@AQUALIBRA.COM

 WWW.AQUALIBRA.COM

©2023 Aqua Libra Co. All rights reserved. Continuing improvements may necessitate change specifications without notice.

